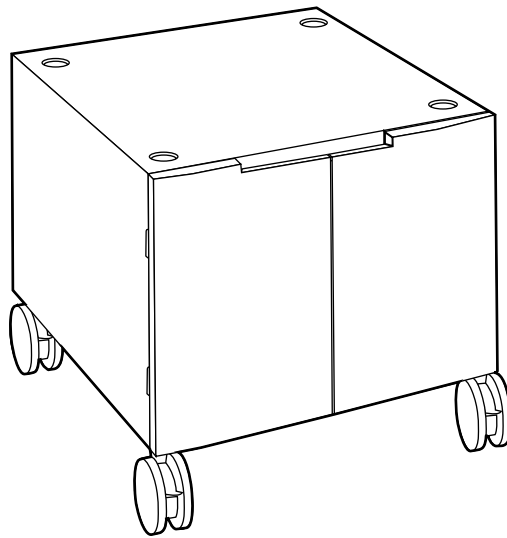


Installing the Printer Station

The Printer Station is designed to safely support the weight of the Phaser® 380 color printer, the printer's Lower Paper Tray Assembly, and printer supplies. Adding a Printer Station to the printer raises it to a comfortable operating height, while providing a convenient location to store supplies and consumable components, such as ColorStix® ink sticks, paper and transparency media, and a spare maintenance tray. The Printer Station features hinged doors, a sliding drawer and lockable casters. Mounting recesses in the top of the cabinet help you to position the printer and the optional Lower Paper Tray Assembly during installation.



2818-01

Caution It is important that you follow these unpacking and setup procedures to avoid risk of personal injury, and damage to the printer, the Lower Paper Tray Assembly and the Printer Station.



Location requirements

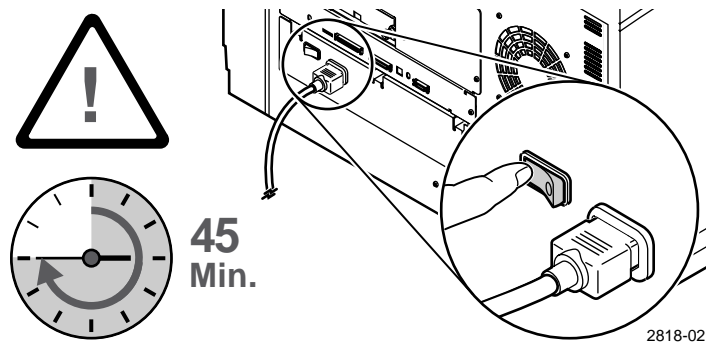
Before unpacking the Printer Station, prepare an area that allows appropriate clearances for proper ventilation of the printer. Install on a level floor surface, allowing for no more than 1.3 cm (0.5 in.) tilt from level across any side of the Printer Station.

Printer Station Dimensions	Printer Clearances	Product Weights
Height: 51.5 cm (20.25 in.)	Top: 45.7 cm (18 in.)	Printer Station: 31.4 kg (69 lbs.)
Width: 59.7 cm (23.5 in.)	Right Side: 10.2 cm (4 in.)	Printer: 100 kg (220 lbs.)
Depth: 62.2 cm (24.5 in.)	Rear: 10.2 cm (4 in.)	Lower Paper Tray: 36.8 kg (81 lbs.)
	Left Side, Front, Bottom: no restrictions	Combined Total: 168.2 kg (370 lbs.)

Turning off the printer

Before unpacking the Printer Station, prepare the printer to be moved by turning it off using the On/Off switch located on the rear panel. Allow at least 45 minutes for the printer to cool before moving it.

1. Use the rear-panel On/Off switch to turn off the printer. This places the printhead in a safe position for moving the printer a short distance. If you are moving the printer a long distance, remove the maintenance tray and lock the printhead transit restraint. Refer to the printer's user manual for more information.



Caution After turning off the printer, wait 45 minutes before moving it to allow the ink in the printer to solidify. Failure to do so can result in ink spills that can damage the printer.



2. After the printer powers down, disconnect the power cord and other cables.
3. If present, disconnect the Lower Paper Tray Assembly cable from the printer.

Unpacking the Printer Station

1. Using a utility knife, cut open the Printer Station shipping box from the top to the bottom at each corner.

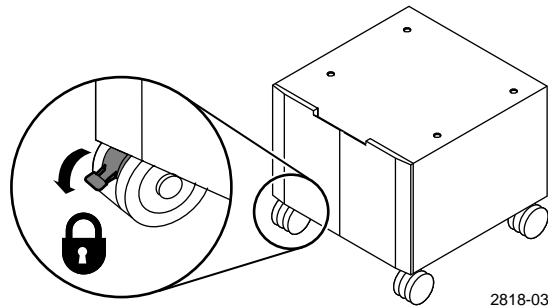
Warning The Printer Station weighs 31.4 kg. (69 lbs.). Do not attempt to lift it without the assistance of another person.



2. Lift the Printer Station from the Printer Station shipping box.

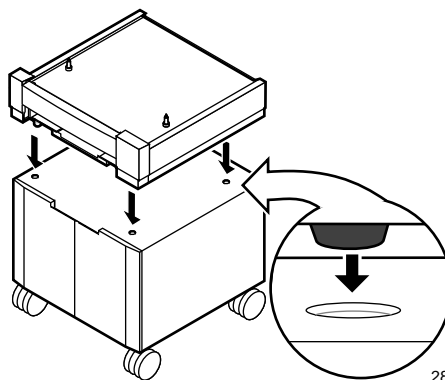
Placing the printer on the Printer Station

1. Lock the Printer Station's front casters to secure it in place.



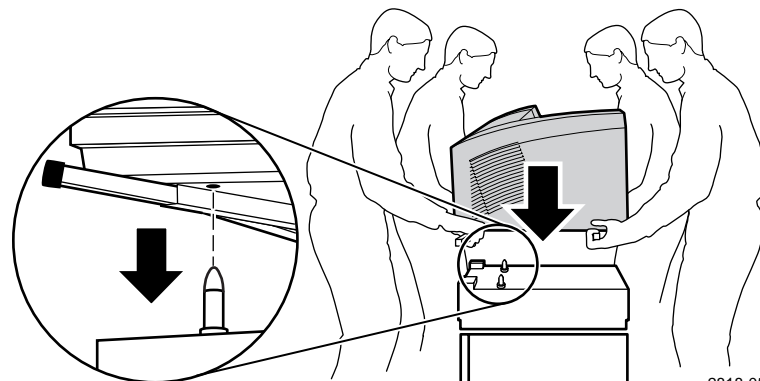
2818-03

2. Optional: With the assistance of another person, place the Lower Paper Tray Assembly on top of the Printer Station. The Lower Paper Tray Assembly's feet should sit inside the recesses on the top of the Printer Station cabinet.



2818-04

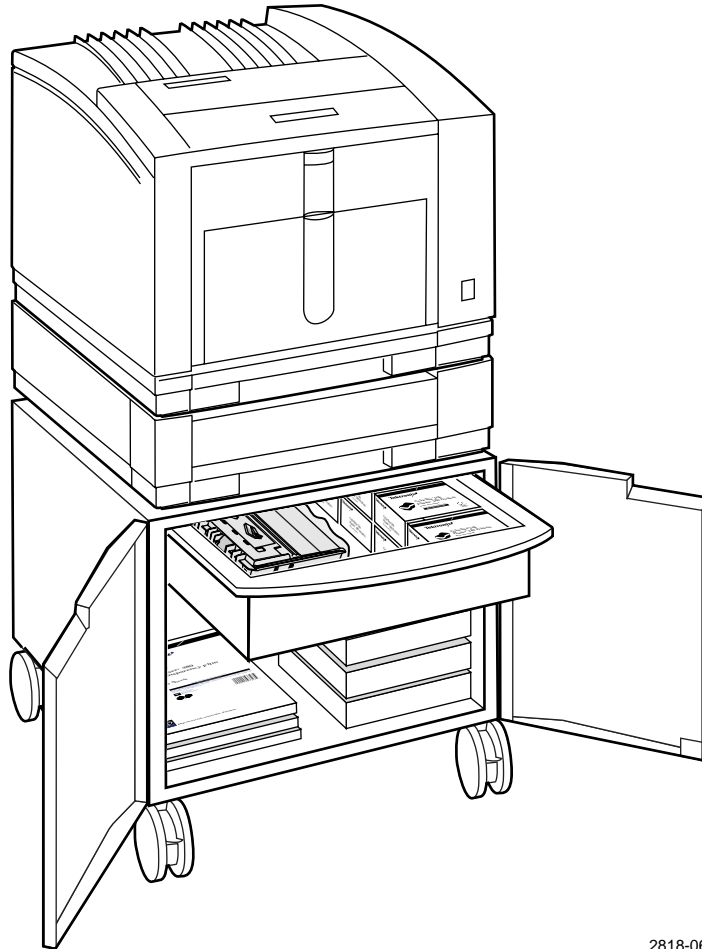
3. With the assistance of three other people using the printer's built-in carrying handles, place the printer on top of the Printer Station. The printer's feet should sit inside the recesses on the top of the Printer Station cabinet. If you are installing the printer on top of the Lower Paper Tray Assembly, make sure that the alignment pins fit in the holes in the base of the printer.



2818-05

Organizing printer supplies

The Printer Station's sliding drawer provides storage for up to 9 kg (20 lbs.) of printer supplies. A bottom shelf provides additional storage space for supplies such as paper and transparency media.



2818-06

Caution The combined weight of a Printer Station, the printer, a Lower Paper Tray Assembly and supplies can exceed 178 kg (390 lbs.). To avoid damage or personal injury, use caution when moving the Printer Station across uneven surfaces. Before moving the printer, refer to the printer's user manual or the instruction label located on the right side of the printer.